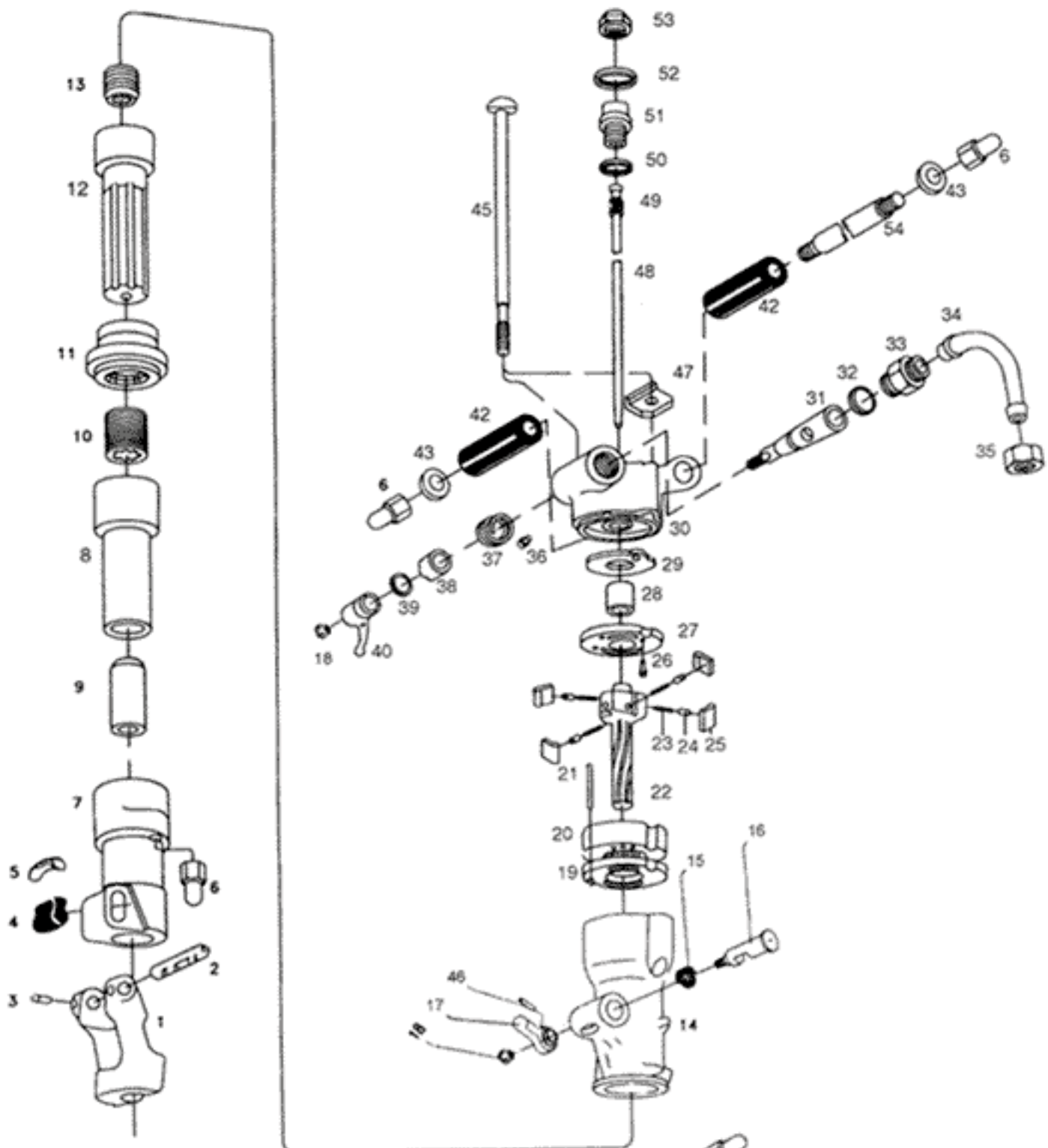
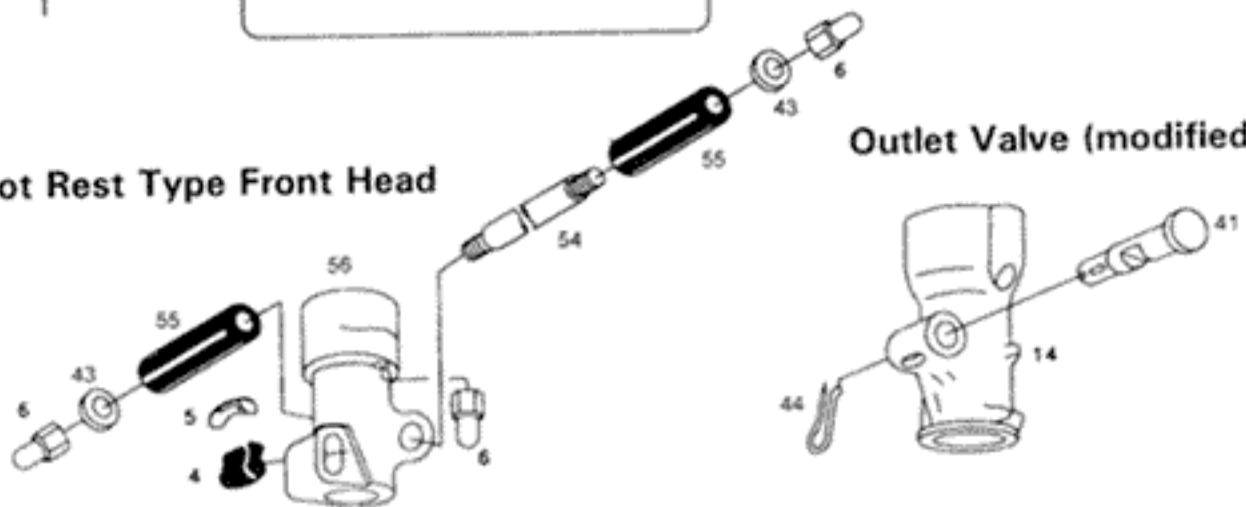


MDS-505L ROCK DRILL



Foot Rest Type Front Head

Outlet Valve (modified)



PARTS LIST OF MDS ROCK DRILL, MODEL MDS- 505L

| SL | PART NO. | DESCRIPTION | Qty. |
|----|---------------|-----------------------------|------|
| 1 | 01 00 0851 | Drill Steel Retainer | 1 |
| 2 | 02 00 0852 | Retainer Pin | 1 |
| 3 | 03 00 3392 | Tension Pin | 2 |
| 4 | 04 00 0030 | Rubber Buffer | 1 |
| 5 | 05 00 0029 | Buffer Plate | 1 |
| 6 | 06 00 0292 | Dome Nut | 4 |
| 7 | 07 00 0342 | Front Head | 1 |
| 8 | 08 00 0769 | Rotation Chuck | 1 |
| 9 | 09 00 0023 | Chuck Bushing | 1 |
| 10 | 10 00 1221 | Chuck Nut | 1 |
| 11 | 11 00 0339 | Intermediate Part | 1 |
| 12 | 12 00 8478 | Piston | 1 |
| 13 | 13 00 9299 05 | Rifle Nut | 1 |
| 14 | 14 00 0337 | Cylinder | 1 |
| 15 | 15 00 0338 | Spring Outlet Valve | 1 |
| 16 | 16 00 9949 | Outlet Valve | 1 |
| 17 | 17 00 9950 | Outlet Valve Lever | 1 |
| 18 | 18 00 8734 | Conical Nut | 2 |
| 19 | 19 00 8683 | Guide Disc. | 1 |
| 20 | 20 00 8682 | Ratchet Box | 1 |
| 21 | 21 00 7146 31 | Elastic Pin for Ratchet Box | 1 |
| 22 | 22 00 3154 | Rifle Bar | 1 |
| 23 | 23 00 9140 02 | Pressure Spring | 4 |
| 24 | 24 00 9641 01 | Plunger | 4 |
| 25 | 25 00 3159 | Pawl | 4 |
| 26 | 26 00 9665 | Guide Pin for Valve Cover | 1 |
| 27 | 27 00 8680 | Cover | 1 |
| 28 | 28 00 9894 01 | Bushing | 1 |

PARTS LIST OF MDS ROCK DRILL, MODEL MDS- 505L

| SL | PART NO. | DESCRIPTION | Qty. |
|----|---------------|------------------------------------|------|
| 29 | 29 00 8681 | Main Valve | 1 |
| 30 | 30 00 0569 | Back Head | 1 |
| 31 | 31 00 0349 | Throttle Valve | 1 |
| 32 | 32 00 1045 | Washer | 1 |
| 33 | 33 00 0345 | Adopter | 1 |
| 34 | 34 00 1170 | Hose Nipple | 1 |
| 35 | 35 00 0333 | Coupling Nut | 1 |
| 36 | 36 00 0329 | T-Pin | 1 |
| 37 | 37 00 0136 | Coil Spring | 1 |
| 38 | 38 00 0332 | Lock Washer | 1 |
| 39 | 39 00 2128 | O Ring | 1 |
| 40 | 40 00 0573 | Throttle Lever | 1 |
| 41 | 41 00 1778 | Outlet Valve (Modified) | 1 |
| 42 | 42 00 1372 | Handle Grip | 2 |
| 43 | 43 00 0119 01 | Washer for Handle Bolt | 2 |
| 44 | 44 00 1779 | Lever for Extra Blowing (Modified) | 1 |
| 45 | 45 00 0343 | Side Bolt | 2 |
| 46 | 46 00 3330 | Elastic Pin for Outlet valve | 1 |
| 47 | 47 00 0574 | Washer | 2 |
| 48 | 48 00 0352 | Air Flushing Tube | 1 |
| 49 | 49 00 0336 | Packing | 1 |
| 50 | 50 00 9341 02 | Sealing Washer | 1 |
| 51 | 51 00 9623 01 | Adopter / reducer | 1 |
| 52 | 52 00 4146 | Sealing Washer | 1 |
| 53 | 53 00 9643 01 | Protective Nut | 1 |
| 54 | 54 00 0360 | Handle Bolt | 1 |